



Centac C700

Innovation and Tradition

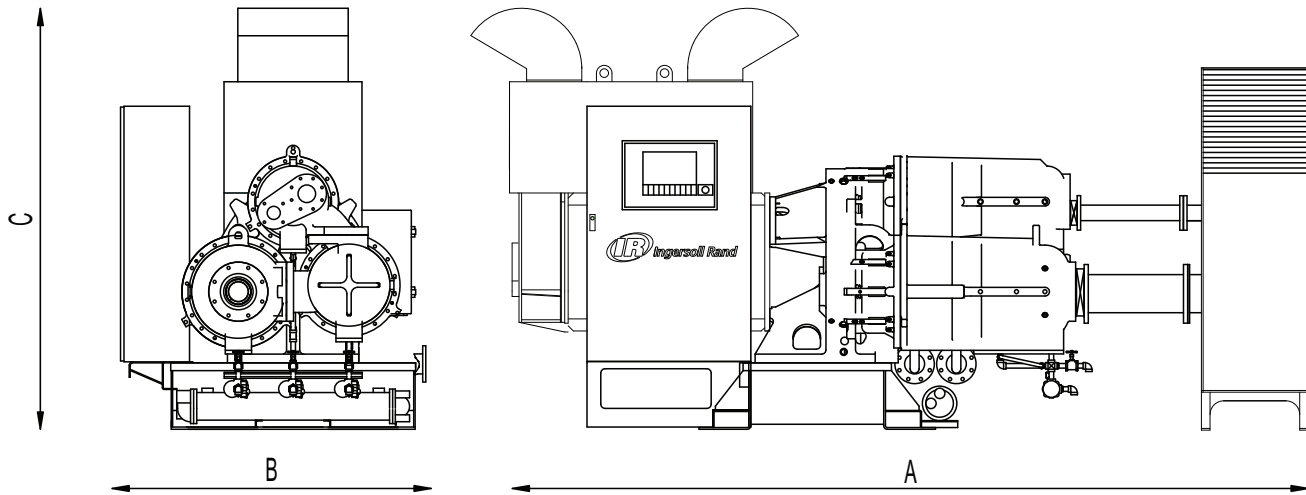
Silenced version



Standard features:

- ✓ Advanced centrifugal technology for superior performances
- ✓ 100% oil-free air (ISO 8573-1 Class 0 as certified by TÜV)
- ✓ Quiet running in all conditions
- ✓ State of the art control system
- ✓ Constant pressure control for:
 - Stable system pressure
 - High efficiency at part load
 - Smooth operation
- ✓ High reliability and long lifetime
- ✓ Well-proven robust construction
- ✓ Low operating and installation costs
- ✓ Low maintenance requirements
- ✓ Built to strict quality standards
- ✓ Over 20000 CENTAC worldwide
- ✓ Worldwide Service and Parts support
- ✓ Complete range of air solutions
- ✓ Turnkey project management

Centac C700



Standard package scope of supply includes:

- Inlet guide vane and five axis precision machined stainless steel impellers for maximum energy savings in all operating conditions
- Complete tested package with built-in lubrication and cooling systems
- Flange mounted motor for permanent alignment
- Complete control, protection and diagnostic system
- Integral water-cooled inter- and aftercooler with single point flanged connections for air and water
- Inlet air filter with integrated by-pass silencer
- Wide range of pre-engineered options and variants with extended baseplate for B3 motors

Model	Nominal Capacity [m ³ /min] (1)	Pressure Range [bar(g)]	Motor Rating [kW] (2)	Dimensions AxBxC [mm] (3)	Weight [kg] (3)	Sound Pressure Level [dBA] (3) (4)
C60MX2	60	4.5	270	4850x1770x2445 (4600x2200x2200)	6500 (9000)	83 (72)
C60MX3		5 ÷ 10.5	300 ÷ 430			
C70MX2	70	4.5	300			
C70MX3		5 ÷ 10.5	430 ÷ 480			
C80MX2	80	4.5	400			
C80MX3		5 ÷ 10.5	430 ÷ 530			
C90MX2	90	4.5	430			
C90MX3		5 ÷ 10.5	430 ÷ 600			
C100MX2	100	4.5	480			
C100MX3		5 ÷ 10.5	530 ÷ 660			
C115MX2	115	4.5	530			
C115MX3		5 ÷ 10.5	530 ÷ 700			

(1) Reference conditions: Pamb=1.013 bar(a); P1=0.98 bar(a); T1=35°C; RH=60%; Tw=25°C.

(2) Depending on pressure variant and ambient conditions. Standard voltage 400 V. Medium Voltage variants available.

(3) Data referred to 400 V, IP23, 700 kW motor. Values in brackets refer to the silenced version.

(4) ±3 dBA measured at 1 m at full-load in accordance with EN ISO 2151:2004.

Nothing contained in this brochure is intended to extend any warranty or representation, expressed or implied, regarding the products described herein. Any such warranties or other terms and conditions of sales shall be in accordance with Ingersoll Rand's standard terms and conditions of sale for such products which are available upon request. Product improvement is a continuing goal at Ingersoll Rand. Designs and specifications are subject to change without notice or obligation.



Ingersoll Rand Industrial Technologies
Air Solutions
Strada Provinciale Cassanese, 108
I-20060 Vignate, Milano
Italy

